


**Fonctions**

- Ventouse 1,5 soufflets, adaptée à la manipulation des pièces de surfaces inégales
- Lèvres fines, faible course pour la manipulation de pièces légères et fines
- 14 diamètres de 4 à 80 mm disponibles en 7 matières différentes
- Choix important de raccords

**Applications**

- Toutes industries (agroalimentaire, conditionnement, plasturgie, automobile...)

**Comment commander**
**SPJ 15 N - M5M**

① ② ③ ④

① Série	② Diamètre	③ Matière et dureté SH	④ Connexion
SPJ	4 - 4mm	30 - 30mm	Nil -Ventouse seule M3M -Raccord mâle M3 M5M -Raccord mâle M5 M8M -Raccord mâle M8 M10F -Raccord femelle M10x1,25 G1F -Raccord femelle G1/8
	6 - 6mm	35 - 35mm	
	8 - 8mm	40 - 40mm	
	10 - 10mm	50 - 50mm	
	15 - 15mm	60 - 60mm	
	20 - 20mm	70 - 70mm	
	25 - 25mm	80 - 80mm	
		N - NBR <b>55</b> ★ WS - Silicone blanc <b>50</b> ★ CN - NBR conducteur <b>55</b> CS - Silicone conducteur <b>55</b> F - Caoutchouc fluor <b>65</b> E - EPDM <b>55</b> HP - Caoutchouc anti trace <b>55</b>	

◇Note: "★" - matériel standard en stock. Pour d'autres produits consultez-nous matériel HP ventouse SPJ10-50

**Sélection**

Modèle	M3M	M5M	M8M	M10F	G1F
SPJ4	●	—	—	—	—
SPJ6	—	●	—	—	—
SPJ8 - 40	—	●	—	—	—
SPJ50	—	—	●	—	—
SPJ60 - 80	—	—	—	●	●

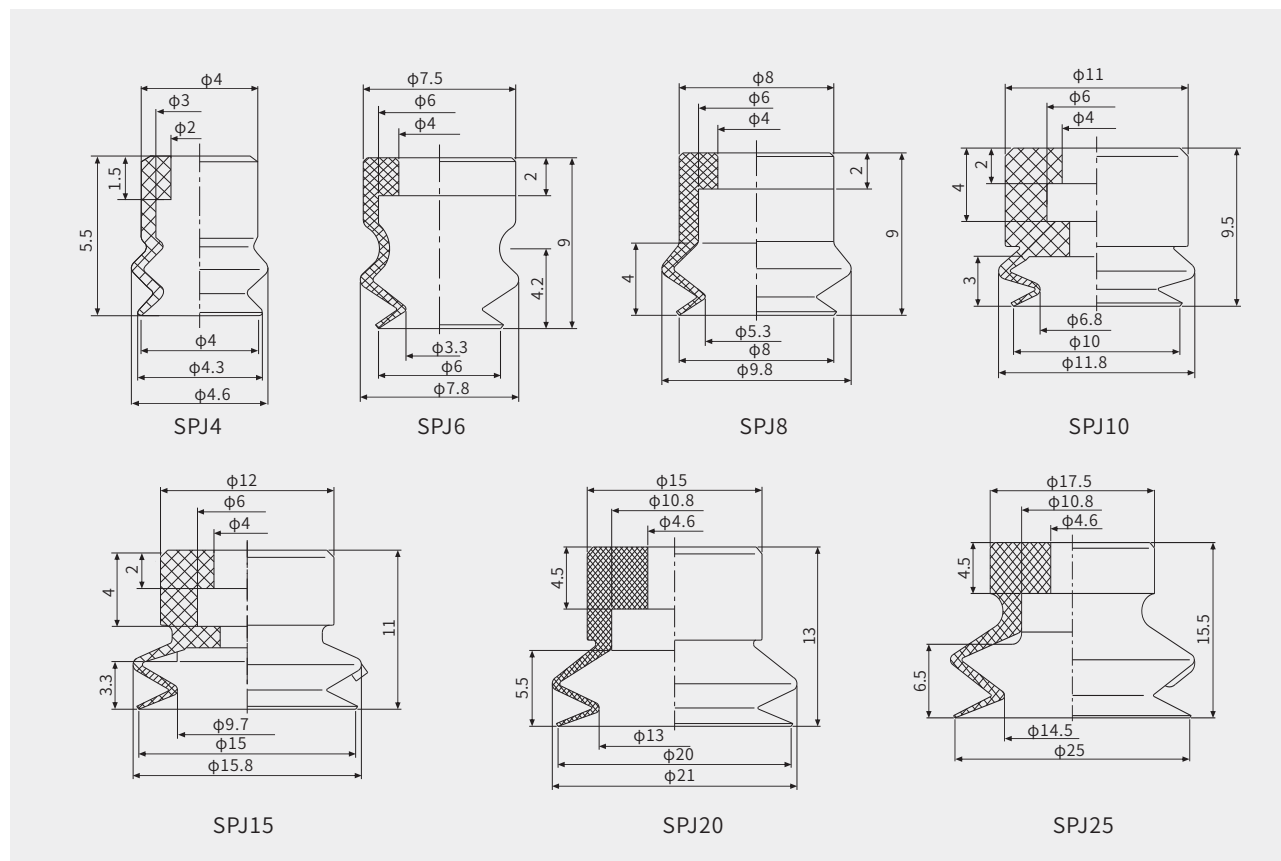
◇Note: "●" standard, en stock "—" indisponible

**Paramètres techniques**

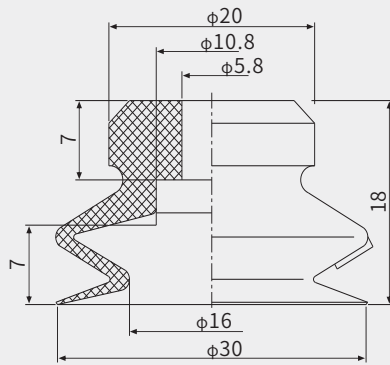
Modèle	Force extraction (N)	Volume intérieur (cm <sup>3</sup> )	Rayon courbure min. de la pièce (mm)	Ø recommandé (mm)
SPJ4	0.6	<0.1	4	4
SPJ6	1.2	<0.1	6	4
SPJ8	2.2	<0.1	8	4
SPJ10	3.5	0.2	12	4
SPJ15	8	0.5	20	6
SPJ20	15	1.1	27	6
SPJ25	24	2.2	40	6
SPJ30	32	3	55	6
SPJ35	43	4.5	65	6
SPJ40	60	6	80	6
SPJ50	92	11.7	95	8
SPJ60	127	20	125	8
SPJ70	173	30	150	8
SPJ80	226	40	140	8

◇ Test du niveau de vide -60kPa avec une pièce à la surface lisse et propre. Les données de force<sup>re</sup> d'extraction ne prennent pas en compte les facteurs de sécurité. Les données peuvent changer en fonction de la surface des pièces.

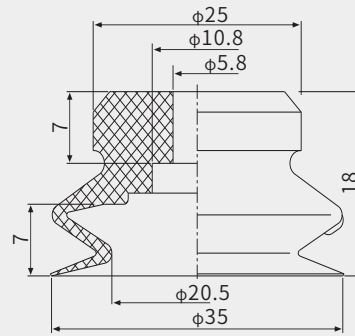
**Dimensions (mm)**



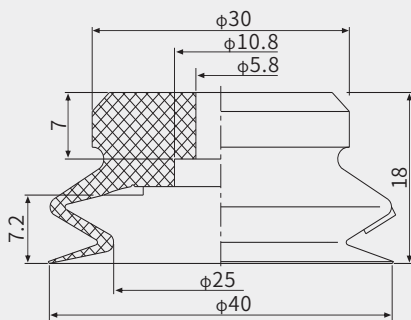
**Dimensions (mm)**



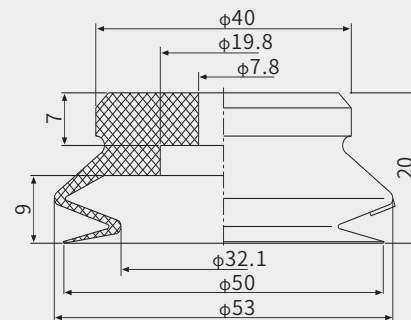
SPJ30



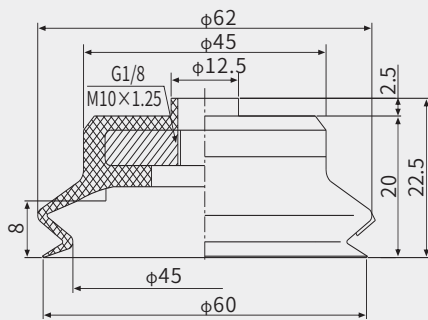
SPJ35



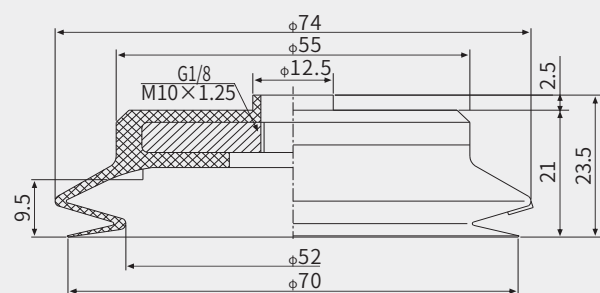
SPJ40



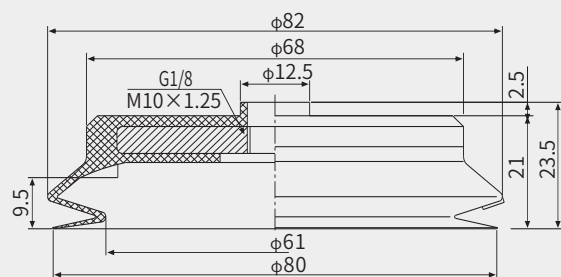
SPJ50



SPJ60



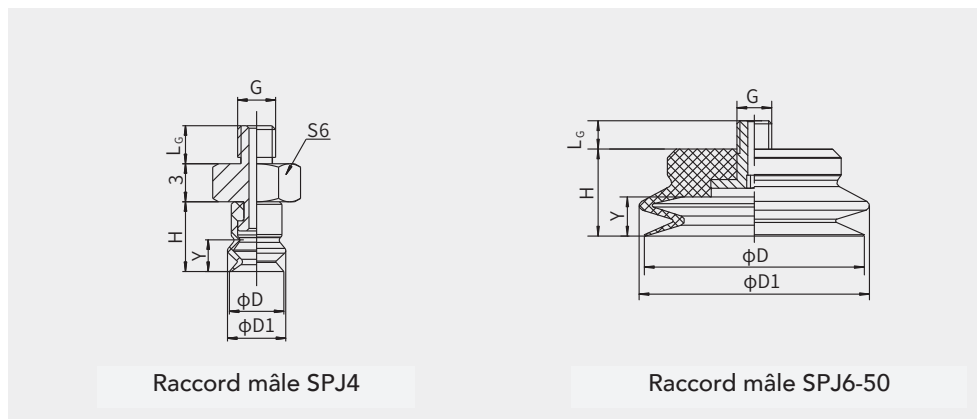
SPJ70



SPJ80

- SB
- SBA
- SBB
- SBF
- SBOF
- SFT
- STP
- SBL
- SBLP
- SF
- SU
- SUF
- SFG
- STC
- SFF
- SFM
- SDM
- SOB
- SOF
- SOG
- SFP
- SBP
- SXP
- SGP
- SDL
- SH
- SHB
- SZ
- SAN
- SAO
- SPA
- SPC
- SPF
- SPJ**
- SPU
- SNP
- SOP

**Dimensions (mm)**



Raccord mâle SPJ4

Raccord mâle SPJ6-50

Modèle/taille	D	D1	H	Y	G	L <sub>G</sub>
SPJ4-M3M	4	4.6	5.5	2.3	M3	5
SPJ6-M5M	6	7.8	9	4.2	M5	5
SPJ8-M5M	8	9.8	9	4	M5	5
SPJ10-M5M	10	11.8	9.5	3	M5	5
SPJ15-M5M	15	15.8	11	3.3	M5	5
SPJ20-M5M	20	21	13	5.5	M5	5
SPJ25-M5M	25	—	15.5	6.5	M5	5
SPJ30-M5M	30	—	18	7	M5	5
SPJ35-M5M	35	—	18	7	M5	5
SPJ40-M5M	40	—	18	7.2	M5	5
SPJ50-M8M	50	53	20	9	M8	6.5

**Montage**

Pièce	Modèle	Modèle ventouse
<b>Raccord pour ventouse</b>	PJS-M3M-ST1	SPJ4
	PJS-M5M-ST2	SPJ6, 8, 10, 15
	PJS-M5M-ST3	SPJ20, 25
	PJS-M5M-ST4	SPJ30, 35, 40
	PJS-M8M-ST6	SPJ50



- SB
- SBA
- SBB
- SBF
- SBOF
- SFT
- STP
- SBL
- SBLP
- SF
- SU
- SUF
- SFG
- STC
- SFF
- SFM
- SDM
- SOB
- SOF
- SOG
- SFP
- SBP
- SXP
- SGP
- SDL
- SH
- SHB
- SZ
- SAN
- SAO
- SPA
- SPC
- SPF
- SPJ**
- SPU
- SNP
- SOP

**Comment commander**

**SPJ10N - L B6 - M8M**  
 ①                      ②      ③                      ④

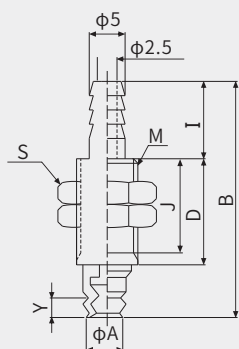
① Modèle	② Direction port vide	③ Raccordement pour le vide	④ Connexion
<b>Voir ventouse p.212-215</b>	Nil - Vertical L - Lateral	B6 - Raccord cannelé ø6 R1 - Raccord femelle G1/8	M4F - Raccord femelle M4 M6F - Raccord femelle M6 M8F - Raccord femelle M8 M8M - Raccord mâle M8x1 M9M - Raccord mâle M9x1 M10M - Raccord mâle M10x1 M16M - Raccord mâle M16x1,5

**Sélection**

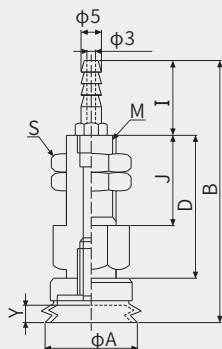
Modèle	Connexion port vide	Montage
SPJ6-8	B6	M9M
	LB6	M4F
SPJ10-20	B6	M8M
	LB6	M6F
SPJ30-50	B6	M10M
	LB6	M6F
SPJ60-80	R1	M16M
	LR1	M8F

**Dimensions (mm)**

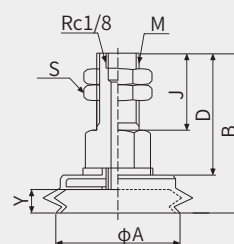
Raccord cannelé axial



ø ventouse 6-8



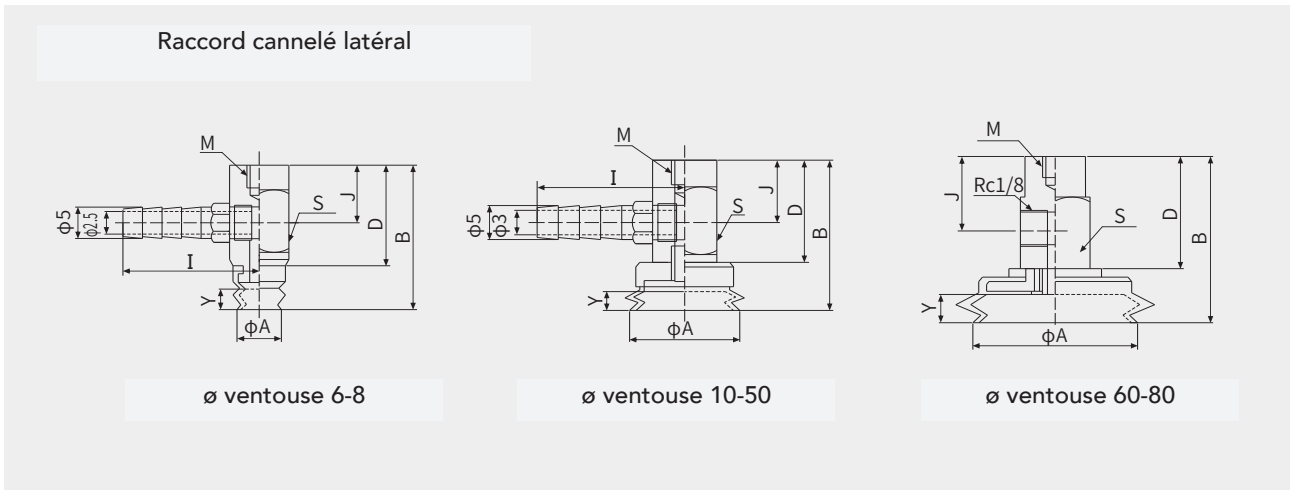
ø ventouse 10-50



ø ventouse 60-80

Modèle/taille	A	B	D	I	J	M	Y	S
SPJ6-B6-M9M	6	33	14	10	11	M9×1	4.2	12
SPJ8-B6-M9M	8	33	14	10	11	M9×1	4	12
SPJ10-B6-M8M	10	47.5	22	16	17	M8×1	3	12
SPJ15-B6-M8M	15	49	22	16	17	M8×1	3.3	12
SPJ20-B6-M8M	20	51	22	16	17	M8×1	5.5	12
SPJ25-B6-M10M	25	63.5	32	16	22	M10×1	6.5	14
SPJ30-B6-M10M	30	66	32	16	22	M10×1	7	14
SPJ35-B6-M10M	35	66	32	16	22	M10×1	7	14
SPJ40-B6-M10M	40	66	32	16	22	M10×1	7.2	14
SPJ50-B6-M10M	50	68	32	16	22	M10×1	9	14
SPJ60-R1-M16M	60	62	42	—	23	M16×1.5	8	21
SPJ80-R1-M16M	70	63	42	—	23	M16×1.5	9.5	21
SPJ95-R1-M16M	80	63	42	—	23	M16×1.5	9.5	21

**Dimensions (mm)**



Modèle/taille	A	B	D	I	J	M	Y	S
SPJ6-LB6-M4F	6	31	22	21	14	M4 depth 6	4.2	10
SPJ8-LB6-M4F	8	31	22	21	14	M4 depth 6	4	10
SPJ10-LB6-M4F	10	31.5	22	21	14	M4 depth 6	3	10
SPJ15-LB6-M4F	15	33	22	21	14	M4 depth 6	3.3	10
SPJ20-LB6-M4F	20	35	22	21	14	M4 depth 6	5.5	10
SPJ25-LB6-M6F	25	47.5	32	23	20	M6 depth 8	6.5	14
SPJ30-LB6-M6F	30	50	32	23	20	M6 depth 8	7	14
SPJ35-LB6-M6F	35	50	32	23	20	M6 depth 8	7	14
SPJ40-LB6-M6F	40	50	32	23	20	M6 depth 8	7.2	14
SPJ50-LB6-M6F	50	52	32	23	20	M6 depth 8	9	14
SPJ60-LR1-M8F	60	62	42	—	28	M8 depth 8	8	21
SPJ70-LR1-M8F	70	63	42	—	28	M8 depth 8	9.5	21
SPJ80-LR1-M8F	80	63	42	—	28	M8 depth 8	9.5	21

- SB
- SBA
- SBB
- SBF
- SBOF
- SFT
- STP
- SBL
- SBLP
- SF
- SU
- SUF
- SFG
- STC
- SFF
- SFM
- SDM
- SOB
- SOF
- SOG
- SFP
- SBP
- SXP
- SGP
- SDL
- SH
- SHB
- SZ
- SAN
- SAO
- SPA
- SPC
- SPF
- SPJ**
- SPU
- SNP
- SOP



**Comment commander**

SPJ10N - F E 10 LB6 - M11

①                      ②    ③    ④                      ⑤                      ⑥

① Modèle	② Type insert	③ Style tampon	④ Course ressort
<b>Voir ventouse p.212-215</b>	F -PSPF Series	E -Ressort externe	3 10
			4 15
			6 30

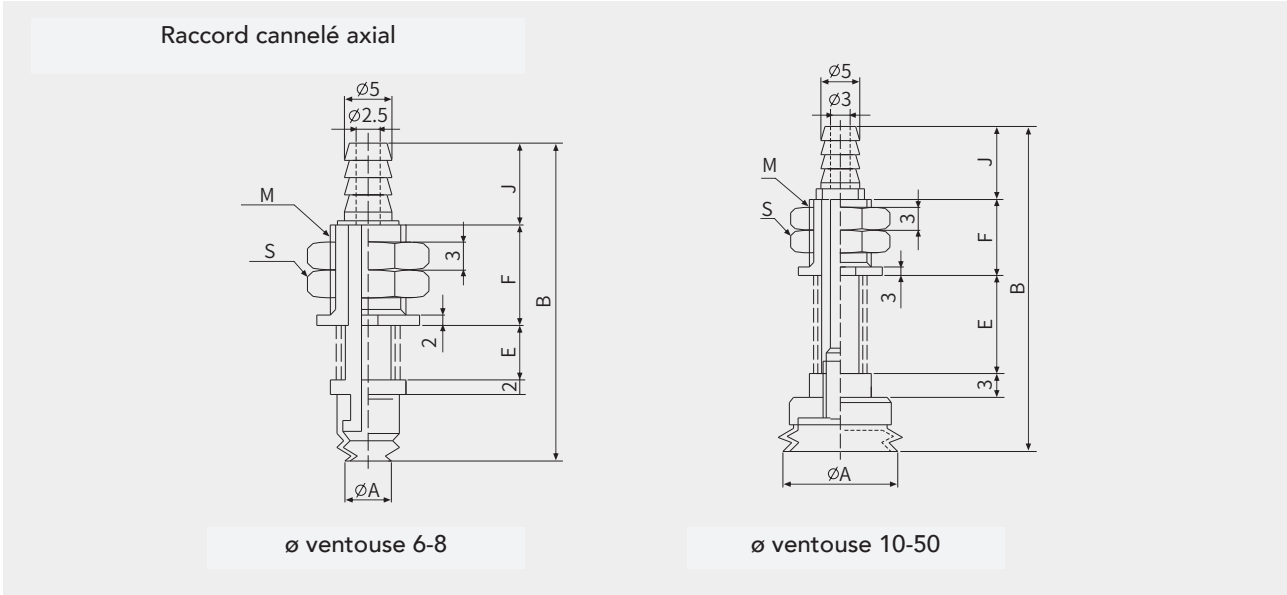
⑤ Raccordement de vide	⑥ Montage
<b>B6</b> - Vertical, Raccord instantané ø6	<b>M9</b> - M9×1
<b>LB6</b> - Latéral, Raccord instantané ø6	<b>M11</b> - M11×1
<b>LR1</b> - Latéral, Raccord femelle Rc1/8	<b>M14</b> - M14×1
	<b>M16</b> - M16×1,5

**Sélection**

Modèle	Course ressort	Raccordement du vide	Montage
SPJ6-8	3 10	B6 LB6	M9
SPJ10-20	4 10	B6 LB6	M11
SPJ25-50	6 15	B6 LB6	M14
SPJ60-80	10 30	- LR1	M16



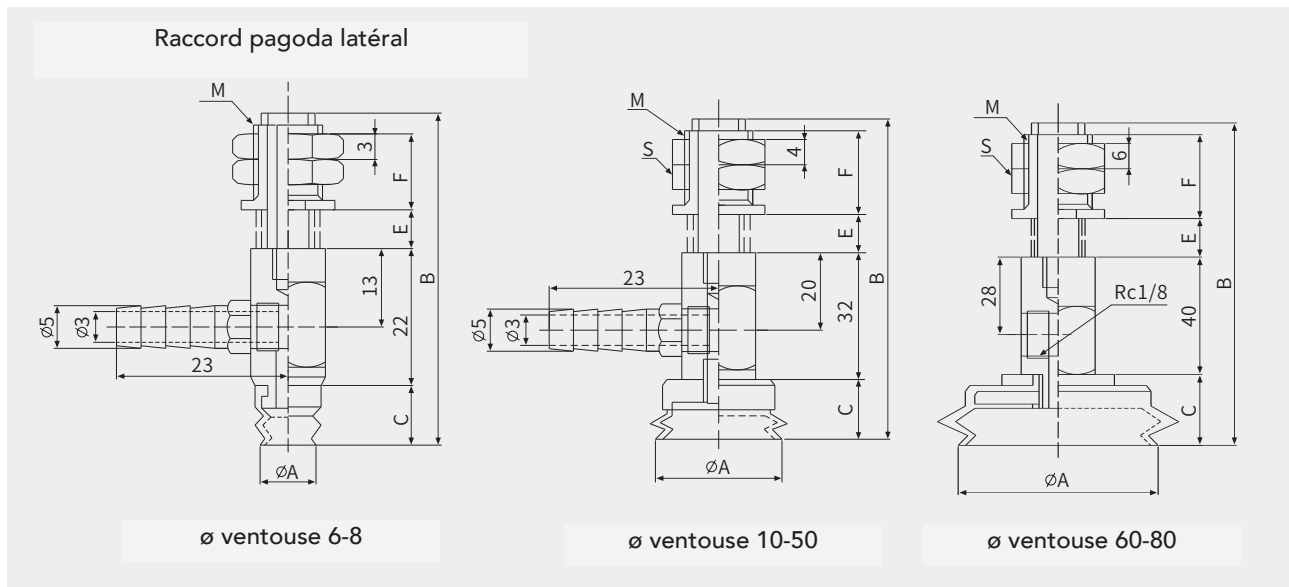
**Dimensions (mm)**



Modèle/taille	A	B	E	F	J	M	S	Course ressort
SPJ6-FE3B6-M9	6	40	6	13	10	M9×1	12	3
SPJ6-FE10B6-M9	6	54	20	13	10	M9×1	12	10
SPJ8-FE3B6-M9	8	40	6	13	10	M9×1	12	3
SPJ8-FE10B6-M9	8	54	20	13	10	M9×1	12	10
SPJ10-FE4B6-M11	10	55.5	8	19	16	M11×1	14	4
SPJ10-FE10B6-M11	10	67.5	20	19	16	M11×1	14	10
SPJ15-FE4B6-M11	15	57	8	19	16	M11×1	14	4
SPJ15-FE10B6-M11	15	69	20	19	16	M11×1	14	10
SPJ20-FE4B6-M11	20	59	8	19	16	M11×1	14	4
SPJ20-FE10B6-M11	20	71	20	19	16	M11×1	14	10
SPJ25-FE6B6-M14	25	72.5	13	24	17	M14×1	17	6
SPJ25-FE15B6-M14	25	89.5	30	24	17	M14×1	17	15
SPJ30-FE6B6-M14	30	75	13	24	17	M14×1	17	6
SPJ30-FE15B6-M14	30	92	30	24	17	M14×1	17	15
SPJ35-FE6B6-M14	35	75	13	24	17	M14×1	17	6
SPJ35-FE15B6-M14	35	92	30	24	17	M14×1	17	15
SPJ40-FE6B6-M14	40	75	13	24	17	M14×1	17	6
SPJ40-FE15B6-M14	40	92	30	24	17	M14×1	17	15
SPJ50-FE6B6-M14	50	77	13	24	17	M14×1	17	6
SPJ50-FE15B6-M14	50	94	30	24	17	M14×1	17	16

- SB
- SBA
- SBB
- SBF
- SBOF
- SFT
- STP
- SBL
- SBLP
- SF
- SU
- SUF
- SFG
- STC
- SFF
- SFM
- SDM
- SOB
- SOF
- SOG
- SFP
- SBP
- SXP
- SGP
- SDL
- SH
- SHB
- SZ
- SAN
- SAO
- SPA
- SPC
- SPF
- SPJ**
- SPU
- SNP
- SOP

**Dimensions (mm)**



Modèle/taille	A	B	E	F	M	S	Course ressort
SPJ6-FE3LB6-M9	6	53	6	13	M9×1	12	3
SPJ6-FE10LB6-M9	6	67	20	13	M9×1	12	10
SPJ8-FE3LB6-M9	8	53	6	13	M9×1	12	3
SPJ8-FE10LB6-M9	8	67	20	13	M9×1	12	10
SPJ10-FE4LB6-M11	10	61.5	8	19	M11×1	14	4
SPJ10-FE10LB6-M11	10	73.5	20	19	M11×1	14	10
SPJ15-FE4LB6-M11	15	63	8	19	M11×1	14	4
SPJ15-FE10LB6-M11	15	75	20	19	M11×1	14	10
SPJ20-FE4LB6-M11	20	65	8	19	M11×1	14	4
SPJ20-FE10LB6-M11	20	77	20	19	M11×1	14	10
SPJ25-FE6LB6-M14	25	88.5	13	24	M14×1	17	6
SPJ25-FE15LB6-M14	25	105.5	30	24	M14×1	17	15
SPJ30-FE6LB6-M14	30	91	13	24	M14×1	17	6
SPJ30-FE15LB6-M14	30	108	30	24	M14×1	17	15
SPJ35-FE6LB6-M14	35	91	13	24	M14×1	17	6
SPJ35-FE15LB6-M14	35	108	30	24	M14×1	17	15
SPJ40-FE6LB6-M14	40	91	13	24	M14×1	17	6
SPJ40-FE15LB6-M14	40	108	30	24	M14×1	17	15
SPJ50-FE6LB6-M14	50	93	13	24	M14×1	17	6
SPJ50-FE15LB6-M14	50	110	30	24	M14×1	17	15
SPJ60-FE10LR1-M16	60	114	20	28	M16×1.5	21	10
SPJ60-FE30LR1-M16	60	154	60	28	M16×1.5	21	30
SPJ70-FE10LR1-M16	70	115	20	28	M16×1.5	21	10
SPJ70-FE30LR1-M16	70	155	60	28	M16×1.5	21	30
SPJ80-FE10LR1-M16	80	115	20	28	M16×1.5	21	10
SPJ80-FE30LR1-M16	80	155	60	28	M16×1.5	21	30