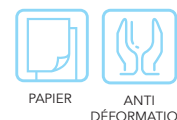


SPA Series spécial papier

Ventouse plate à lèvres fine



Fonctions

- Lèvres fines et flèche très faible pour manipulation de pièces fines et légères
- Différentes matières adaptées aux besoins des pièces
- 7 diamètres différents

Applications

- Papier
- Film plastique
- Feuille aluminium et cuivre

Comment commander

SPA 15 A N - M5M

① ② ③ ④ ⑤

| ① Série | ② Diamètre | ③ Course | ③ Matière et dureté SH | ④ Connexion |
|---------|------------|-------------------------|---|-----------------------|
| SPA | 10 -φ10mm | A - Course haute | N - NBR 55 ★ | Nil - Ventouse seule |
| | 15 -φ15mm | B - Course faible | WS - Silicone blanc 50 ★ | M5M - Raccord mâle M5 |
| | 20 -φ20mm | X - Course ultra faible | CN - NBR conducteur 55 | M6M - Raccord mâle M6 |
| | 25 -φ25mm | | CS - Silicone conducteur 55 | M8M - Raccord mâle M8 |
| | 30 -φ30mm | | | |
| | 40 -φ40mm | | | |
| | 50 -φ50mm | | | |

◇Note: "★"matériel standard en stock. Pour d'autres produits consultez votre fournisseur

Sélection

| Modèle | A | | | | B | | X | |
|--------|-----|-----|-----|-----|-----|-----|-----|-----|
| | Nil | M5M | M6M | M8M | Nil | M5M | Nil | M5M |
| SPA10 | ● | ● | — | — | ● | ● | — | — |
| SPA15 | ● | ● | — | — | ● | ● | ● | ● |
| SPA20 | ● | ● | — | — | ● | ● | — | — |
| SPA25 | — | — | ○ | ● | — | — | — | — |
| SPA30 | — | — | ○ | ● | ● | ● | — | — |
| SPA40 | — | — | ○ | ● | — | — | — | — |
| SPA50 | — | — | ○ | ● | — | — | — | — |

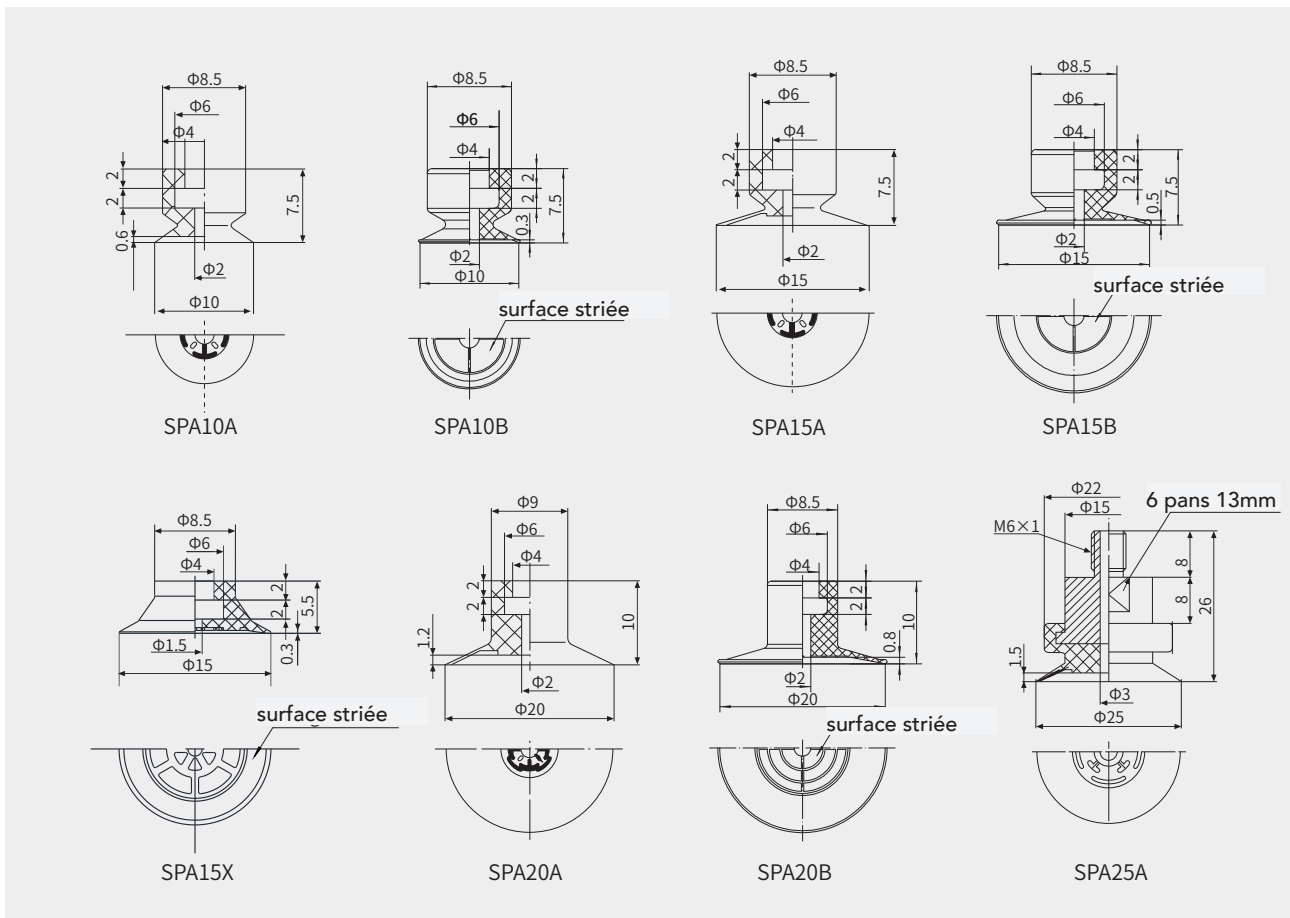
◇Note: "●"standard, en stock "○"pas en stock "—"indisponible

Paramètres techniques

| Modèle | Force extraction (N) | Volume intérieur (cm ³) | ø recommandé (mm) |
|--------|----------------------|-------------------------------------|-------------------|
| SPA10A | 3.5 | <0.1 | 4 |
| SPA10B | 3.5 | <0.1 | 4 |
| SPA15A | 8 | <0.1 | 4 |
| SPA15B | 8 | <0.1 | 4 |
| SPA15X | 8 | <0.1 | 4 |
| SPA20A | 15 | 0.3 | 4 |
| SPA20B | 15 | <0.1 | 4 |
| SPA25A | 22 | 0.6 | 4 |
| SPA30A | 32 | 1.1 | 4 |
| SPA30B | 32 | 0.2 | 4 |
| SPA40A | 56 | 2.6 | 6 |
| SPA50A | 88 | 5.8 | 6 |

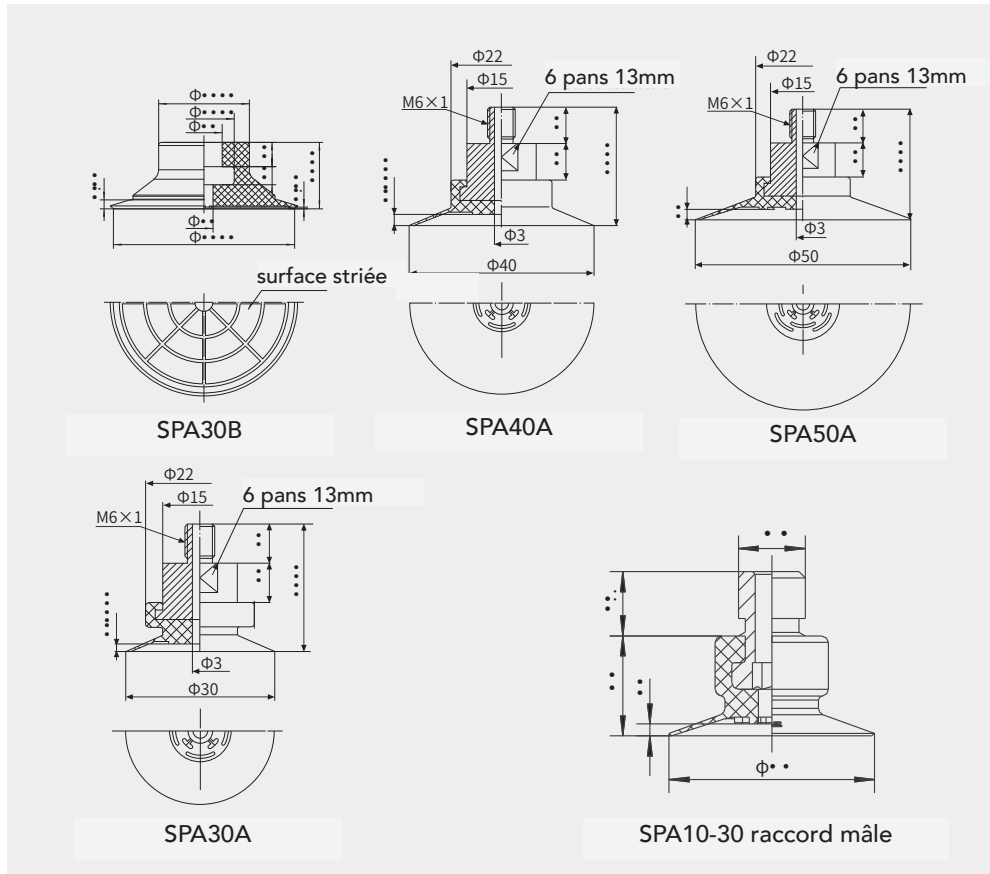
◇ Test du niveau de vide -60kPa avec une pièce à la surface lisse et propre. Les données de force d'extraction ne prennent pas en compte les facteurs de sécurité. Les données peuvent changer en fonction de la surface des pièces.

Dimensions (mm)



- SB
- SBA
- SBB
- SBF
- SBOF
- SFT
- STP
- SBL
- SBLP
- SF
- SU
- SUF
- SFG
- STC
- SFF
- SFM
- SDM
- SOB
- SOF
- SOG
- SFP
- SBP
- SXP
- SGP
- SDL
- SH
- SHB
- SZ
- SAN
- SAO
- SPA**
- SPC
- SPF
- SPJ
- SPU
- SNP
- SOP

Dimensions (mm)



| Modèle/taille | D | H | Y | G | L _e |
|---------------|----|-----|-----|----|----------------|
| SPA10A-M5M | 10 | 7.5 | 0.6 | M5 | 5 |
| SPA10B-M5M | 10 | 7.5 | 0.3 | M5 | 5 |
| SPA15A-M5M | 15 | 7.5 | 0.9 | M5 | 5 |
| SPA15B-M5M | 15 | 7.5 | 0.5 | M5 | 5 |
| SPA15X-M5M | 15 | 5.5 | 0.3 | M5 | 5 |
| SPA20A-M5M | 20 | 10 | 1.2 | M5 | 5 |
| SPA20B-M5M | 20 | 10 | 0.8 | M5 | 5 |
| SPA30B-M5M | 30 | 11 | 0.3 | M5 | 5 |

Montage

| Pièce | Modèle | Modèle ventouse |
|-----------------------|-------------|---|
| Raccord pour ventouse | PJS-M5M-ST2 | SPA10A, 10B SPA15A, 15B,15X SPA20A, 20B |
| | PJS-M5M-ST3 | SPA30B |
| | PJS-M5M-ST7 | SPA25A, 30A, 40A, 50A |



Comment commander

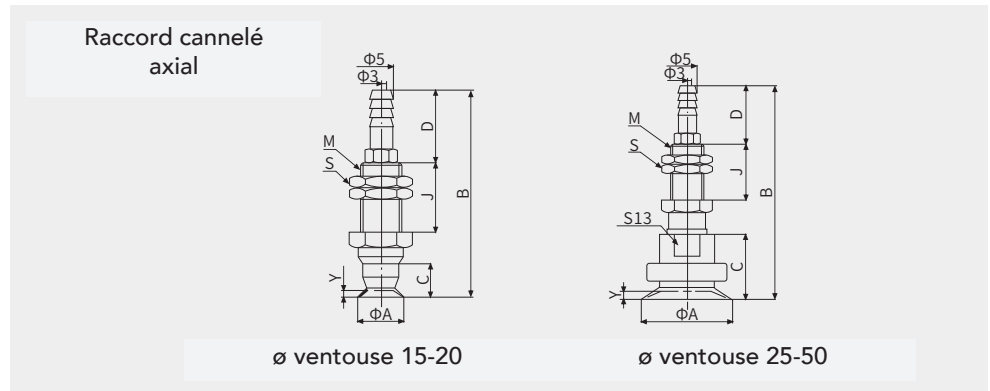
SPA15AN - L B6 - M9M
 ① ② ③ ④

| ① Modèle | ② Direction port ventouse | ③ Connexion | ④ Connexion |
|--------------------------|-------------------------------|--|--|
| Voir ventouse p.183 -185 | Nil - Vertical L - Lateral | A6 - Raccord instantané ø6 B6 - Raccord pagoda ø6 | M4F - Raccord femelle M4 M6F - Raccord femelle M6 M9M - Raccord mâle M9x1 M10M - Raccord mâle M10x1 M12M - Raccord mâle M12x1 M14M - Raccord mâle M14x1 |

Sélection

| Modèle | Arrivée du vide | Montage raccord |
|----------|-----------------|-----------------|
| SPA10-20 | A6 | M12M |
| | LA6 LB6 | M4F |
| | B6 | M9M |
| SPA25-50 | A6 | M14M |
| | LA6 LB6 | M6F |
| | B6 | M10M |

Dimensions (mm)

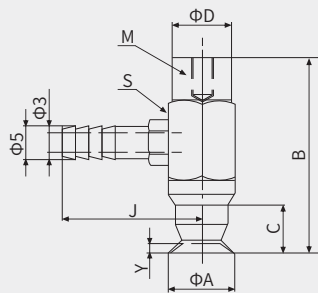


- SB
- SBA
- SBB
- SBF
- SBOF
- SFT
- STP
- SBL
- SBLP
- SF
- SU
- SUF
- SFG
- STC
- SFF
- SFM
- SDM
- SOB
- SOF
- SOG
- SFP
- SBP
- SXP
- SGP
- SDL
- SH
- SHB
- SZ
- SAN
- SAO
- SPA**
- SPC
- SPF
- SPJ
- SPU
- SNP
- SOP

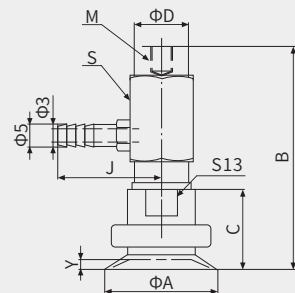
Dimensions (mm)

| Modèle/taille | A | B | C | D | Y | S | M | J |
|----------------|----|------|-----|----|-----|----|-------|------|
| SPA10A-B6-M9M | 10 | 46 | 7.5 | 16 | 0.6 | 12 | M9×1 | 15.5 |
| SPA10B-B6-M9M | 10 | 46 | 7.5 | 16 | 0.3 | 12 | M9×1 | 15.5 |
| SPA15A-B6-M9M | 15 | 46 | 7.5 | 16 | 0.9 | 12 | M9×1 | 15.5 |
| SPA15B-B6-M9M | 15 | 46 | 7.5 | 16 | 0.5 | 12 | M9×1 | 15.5 |
| SPA15X-B6-M9M | 15 | 44 | 5.5 | 16 | 0.3 | 12 | M9×1 | 15.5 |
| SPA20A-B6-M9M | 20 | 48.5 | 10 | 16 | 1.2 | 12 | M9×1 | 15.5 |
| SPA20B-B6-M9M | 20 | 48.5 | 10 | 16 | 0.8 | 12 | M9×1 | 15.5 |
| SPA25A-B6-M10M | 25 | 67.2 | 18 | 16 | 1.5 | 14 | M10×1 | 20 |
| SPA30A-B6-M10M | 30 | 67.2 | 18 | 16 | 1.8 | 14 | M10×1 | 20 |
| SPA30B-B6-M10M | 30 | 60.2 | 11 | 16 | 1.5 | 14 | M10×1 | 20 |
| SPA40A-B6-M10M | 40 | 67.2 | 18 | 16 | 2.4 | 14 | M10×1 | 20 |
| SPA50A-B6-M10M | 50 | 67.2 | 18 | 16 | 3 | 14 | M10×1 | 20 |

Raccord cannelé latéral



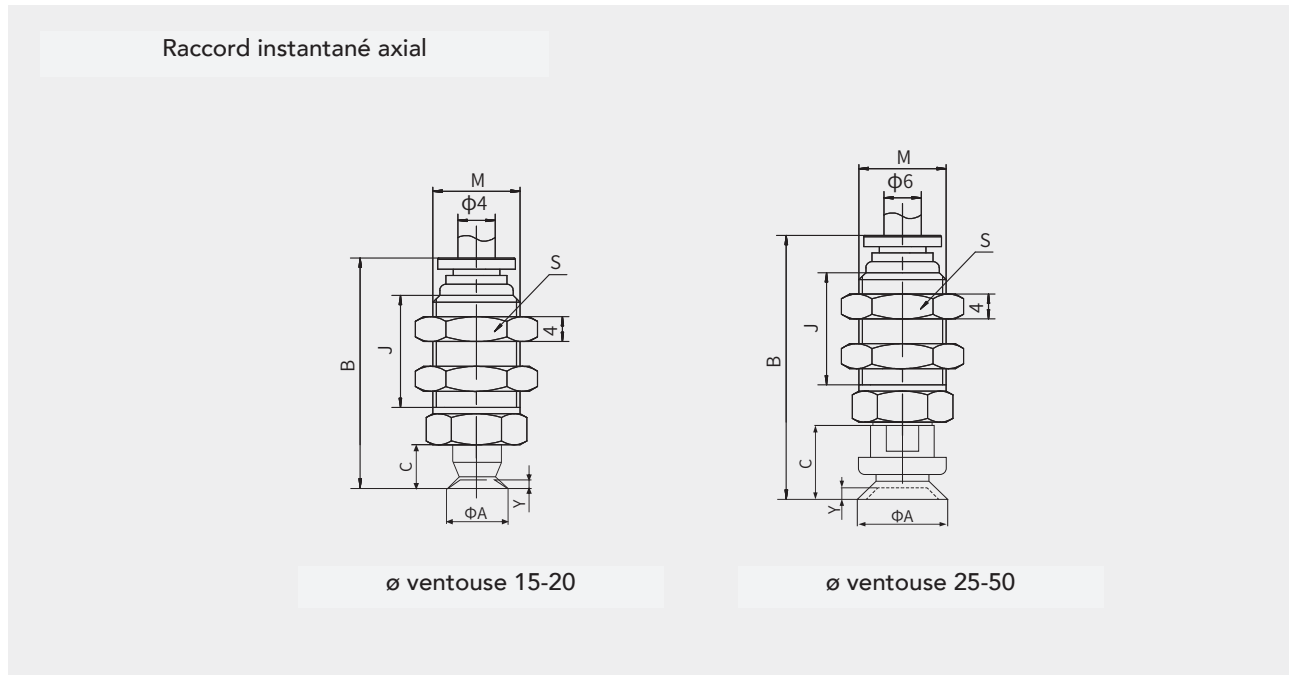
ø ventouse 15-20



ø ventouse 25-30

| Modèle/taille | A | B | C | D | Y | S | M | J |
|----------------|----|------|-----|----|-----|----|------------|----|
| SPA10A-LB6-M4F | 10 | 30 | 7.5 | 10 | 0.6 | 12 | M4 Depth 6 | 21 |
| SPA10B-LB6-M4F | 10 | 30 | 7.5 | 10 | 0.3 | 12 | M4 Depth 6 | 21 |
| SPA15A-LB6-M4F | 15 | 30 | 7.5 | 10 | 0.9 | 12 | M4 Depth 6 | 21 |
| SPA15B-LB6-M4F | 15 | 30 | 7.5 | 10 | 0.5 | 12 | M4 Depth 6 | 21 |
| SPA15X-LB6-M4F | 15 | 28 | 5.5 | 10 | 0.3 | 12 | M4 Depth 6 | 21 |
| SPA20A-LB6-M4F | 20 | 32.5 | 10 | 10 | 1.2 | 12 | M4 Depth 6 | 21 |
| SPA20B-LB6-M4F | 20 | 32.5 | 10 | 10 | 0.8 | 12 | M4 Depth 6 | 21 |
| SPA25A-LB6-M6F | 25 | 51.5 | 18 | 12 | 1.5 | 14 | M6 Depth 8 | 23 |
| SPA30A-LB6-M6F | 30 | 51.5 | 18 | 12 | 1.8 | 14 | M6 Depth 8 | 23 |
| SPA30B-LB6-M6F | 30 | 44.5 | 11 | 12 | 1.5 | 14 | M6 Depth 8 | 23 |
| SPA40A-LB6-M6F | 40 | 51.5 | 18 | 12 | 2.4 | 14 | M6 Depth 8 | 23 |
| SPA50A-LB6-M6F | 50 | 51.5 | 18 | 12 | 3 | 14 | M6 Depth 8 | 23 |

Dimensions (mm)

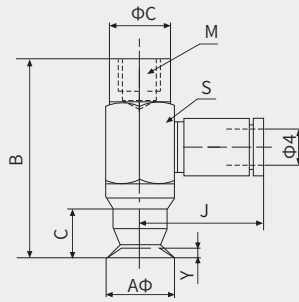


| Modèle/taille | A | B | C | J | M | Y | S |
|----------------|----|------|-----|------|-------|-----|----|
| SPA10A-A4-M12M | 10 | 35 | 7.5 | 17.5 | M12×1 | 0.6 | 14 |
| SPA10B-A4-M12M | 10 | 35 | 7.5 | 17.5 | M12×1 | 0.3 | 14 |
| SPA15A-A4-M12M | 15 | 35 | 7.5 | 17.5 | M12×1 | 0.9 | 14 |
| SPA15B-A4-M12M | 15 | 35 | 7.5 | 17.5 | M12×1 | 0.5 | 14 |
| SPA15X-A4-M12M | 15 | 33 | 5.5 | 17.5 | M12×1 | 0.3 | 14 |
| SPA20A-A4-M12M | 20 | 37.5 | 10 | 17.5 | M12×1 | 1.2 | 14 |
| SPA20B-A4-M12M | 20 | 37.5 | 10 | 17.5 | M12×1 | 0.8 | 14 |
| SPA25A-A4-M12M | 25 | 48 | 18 | 18 | M14×1 | 1.5 | 17 |
| SPA30A-A6-M14M | 30 | 48 | 18 | 18 | M14×1 | 1.8 | 17 |
| SPA30B-A6-M14M | 30 | 40 | 11 | 18 | M14×1 | 1.5 | 17 |
| SPA40A-A6-M14M | 40 | 48 | 18 | 18 | M14×1 | 2.4 | 17 |
| SPA50A-A6-M14M | 50 | 48 | 18 | 18 | M14×1 | 3 | 17 |

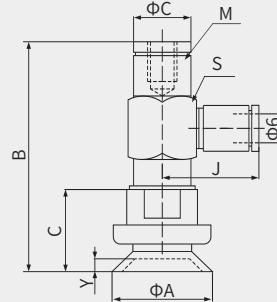
- SB
- SBA
- SBB
- SBF
- SBOF
- SFT
- STP
- SBL
- SBLP
- SF
- SU
- SUF
- SFG
- STC
- SFF
- SFM
- SDM
- SOB
- SOF
- SOG
- SFP
- SBP
- SXP
- SGP
- SDL
- SH
- SHB
- SZ
- SAN
- SAO
- SPA**
- SPC
- SPF
- SPJ
- SPU
- SNP
- SOP

Dimensions (mm)

Raccord instantané latéral



ø ventouse 15-20



ø ventouse 25-50

| Modèle/taille | A | B | C | D | J | M | Y | S |
|----------------|----|------|-----|-----|----|------------|-----|----|
| SPA10A-LA4-M4F | 10 | 30 | 7.5 | 7.5 | 20 | M4 Depth 6 | 0.6 | 10 |
| SPA10B-LA4-M4F | 10 | 30 | 7.5 | 7.5 | 20 | M4 Depth 6 | 0.3 | 10 |
| SPA15A-LA4-M4F | 15 | 30 | 7.5 | 7.5 | 20 | M4 Depth 6 | 0.9 | 10 |
| SPA15B-LA4-M4F | 15 | 30 | 7.5 | 7.5 | 20 | M4 Depth 6 | 0.5 | 10 |
| SPA15X-LA4-M4F | 15 | 28 | 5.5 | 7.5 | 20 | M4 Depth 6 | 0.3 | 10 |
| SPA20A-LA4-M4F | 20 | 32.5 | 10 | 7.5 | 20 | M4 Depth 6 | 1.2 | 10 |
| SPA20B-LA4-M4F | 20 | 32.5 | 10 | 7.5 | 20 | M4 Depth 6 | 0.8 | 10 |
| SPA25A-LA6-M6F | 25 | 51.5 | 18 | 12 | 23 | M6 Depth 8 | 1.5 | 14 |
| SPA30A-LA6-M6F | 30 | 51.5 | 18 | 12 | 23 | M6 Depth 8 | 1.8 | 14 |
| SPA30B-LA6-M6F | 30 | 44.5 | 11 | 12 | 23 | M6 Depth 8 | 1.5 | 14 |
| SPA40A-LA6-M6F | 40 | 51.5 | 18 | 12 | 23 | M6 Depth 8 | 2.4 | 14 |
| SPA50A-LA6-M6F | 50 | 51.5 | 18 | 12 | 23 | M6 Depth 8 | 3 | 14 |



Comment commander

SPA10AN - F E 10 LB6 - M11

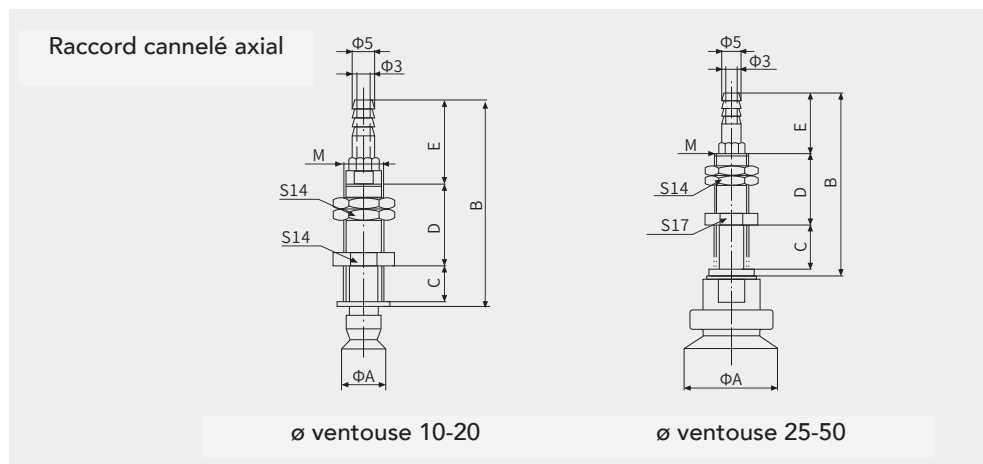
① ② ③ ④ ⑤ ⑥

| ① Modèle | ② Type de compensateur | ③ Style de ressort |
|--------------------------|---|--------------------|
| Voir ventouse p.183 -185 | F -PSPF Series | E -Ressort externe |
| ④ Course du ressort | ⑤ Connexion entrée vide | ⑥ Montage raccord |
| 4 10 | B6 - Vertical, Raccord instantané ø6 | M11 - M11×1 |
| 6 15 | LB6 - Lateral, Raccord instantané ø6 | M14 - M14×1 |

Sélection

| Modèle | Course | Montage raccord |
|----------|---------|-----------------|
| SPA10-20 | 4 10 | M11×1 |
| SPA25-50 | 6 15 | M14×1 |

Dimensions (mm)

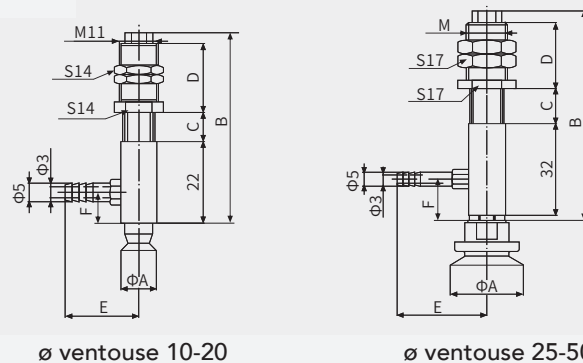


- SB
- SBA
- SBB
- SBF
- SBOF
- SFT
- STP
- SBL
- SBLP
- SF
- SU
- SUF
- SFG
- STC
- SFF
- SFM
- SDM
- SOB
- SOF
- SOG
- SFP
- SBP
- SXP
- SGP
- SDL
- SH
- SHB
- SZ
- SAN
- SAO
- SPA**
- SPC
- SPF
- SPJ
- SPU
- SNP
- SOP

Dimensions (mm)

| Modèle/taille | A | B | C | D | E | M |
|------------------|----|----|----|----|----|-------|
| SPA10-FE4B6-M11 | 10 | 46 | 8 | 19 | 16 | M11×1 |
| SPA10-FE10B6-M11 | 10 | 58 | 20 | 19 | 16 | M11×1 |
| SPA15-FE4B6-M11 | 15 | 46 | 8 | 19 | 16 | M11×1 |
| SPA15-FE10B6-M11 | 15 | 58 | 20 | 19 | 16 | M11×1 |
| SPA20-FE4B6-M11 | 20 | 46 | 8 | 19 | 16 | M11×1 |
| SPA20-FE10B6-M11 | 20 | 58 | 20 | 19 | 16 | M11×1 |
| SPA25-FE6B6-M14 | 25 | 57 | 13 | 24 | 17 | M14×1 |
| SPA25-FE15B6-M14 | 25 | 74 | 30 | 24 | 17 | M14×1 |
| SPA30-FE6B6-M14 | 30 | 57 | 13 | 24 | 17 | M14×1 |
| SPA30-FE15B6-M14 | 30 | 74 | 30 | 24 | 17 | M14×1 |
| SPA40-FE6B6-M14 | 40 | 57 | 13 | 24 | 17 | M14×1 |
| SPA40-FE15B6-M14 | 40 | 74 | 30 | 24 | 17 | M14×1 |
| SPA50-FE6B6-M14 | 50 | 57 | 13 | 24 | 17 | M14×1 |
| SPA50-FE15B6-M14 | 50 | 74 | 30 | 24 | 17 | M14×1 |

Raccord cannelé latéral



ø ventouse 10-20

ø ventouse 25-50

| Modèle/taille | A | B | C | D | E | F | M |
|-------------------|----|----|----|----|----|----|-------|
| SPA10-FE4LB6-M11 | 10 | 52 | 8 | 19 | 21 | 9 | M11×1 |
| SPA10-FE10LB6-M11 | 10 | 64 | 20 | 19 | 21 | 9 | M11×1 |
| SPA15-FE4LB6-M11 | 15 | 52 | 8 | 19 | 21 | 9 | M11×1 |
| SPA15-FE10LB6-M11 | 15 | 64 | 20 | 19 | 21 | 9 | M11×1 |
| SPA20-FE4LB6-M11 | 20 | 52 | 8 | 19 | 21 | 9 | M11×1 |
| SPA20-FE10LB6-M11 | 20 | 64 | 20 | 19 | 21 | 9 | M11×1 |
| SPA25-FE6LB6-M14 | 25 | 73 | 13 | 24 | 23 | 12 | M14×1 |
| SPA25-FE15LB6-M14 | 25 | 90 | 30 | 24 | 23 | 12 | M14×1 |
| SPA30-FE6LB6-M14 | 30 | 73 | 13 | 24 | 23 | 12 | M14×1 |
| SPA30-FE15LB6-M14 | 30 | 90 | 30 | 24 | 23 | 12 | M14×1 |
| SPA40-FE6LB6-M14 | 40 | 73 | 13 | 24 | 23 | 12 | M14×1 |
| SPA40-FE15LB6-M14 | 40 | 90 | 30 | 24 | 23 | 12 | M14×1 |
| SPA50-FE6LB6-M14 | 50 | 73 | 13 | 24 | 23 | 12 | M14×1 |
| SPA50-FE15LB6-M14 | 50 | 90 | 30 | 24 | 23 | 12 | M14×1 |