



Product catalog



**AVS RÖMER, YOUR SPECIALIST
FOR CUSTOMIZED SOLUTIONS!**



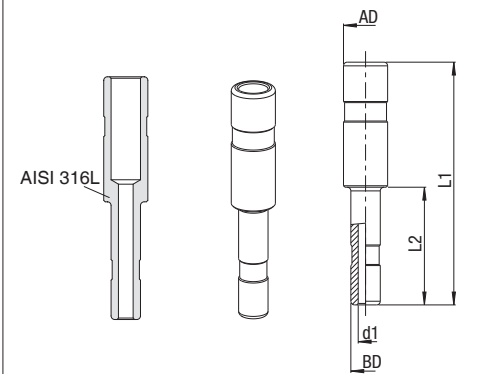


Straight Double Stem Connector

 Price group **13** PN 20 T_{min} -40 °C T_{max} +200 °C

 Stainless steel
AISI 316L

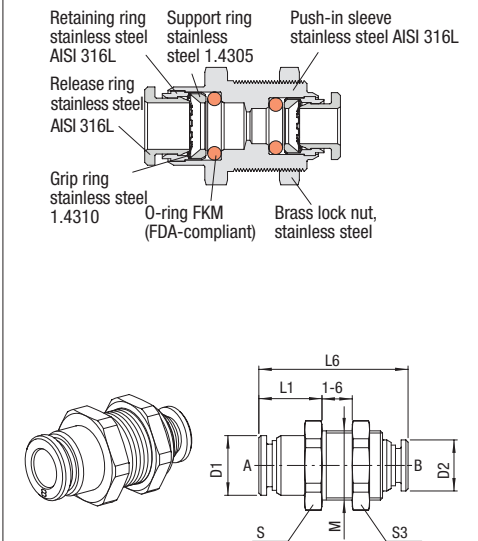
Connection AD	Connection BD	d1	L1	L2	Weight in [g]	Type	Order number	Price
6	4	2	33	16	3.3	904X4-D6-D4	283852	o. r.
6	6	4	34.5	-	4.2	904X4-D6	283853	o. r.
8	6	4	37.5	18	6.5	904X4-D8-D6	283858	o. r.
8	8	6	37.5	-	6.2	904X4-D8	283854	o. r.
10	8	6	45.5	18	10.9	904X4-D10-D8	283859	o. r.
10	10	8	45.5	-	9.7	904X4-D10	283857	o. r.
12	10	8	50	24	14	904X4-D12-D10	283860	o. r.
12	12	10	50	-	14.2	904X4-D12	283861	o. r.

Illustration

Straight Bulkhead Connector

 Price group **13** PN 20 T_{min} 0 °C T_{max} +140 °C

 Stainless steel
AISI 316L

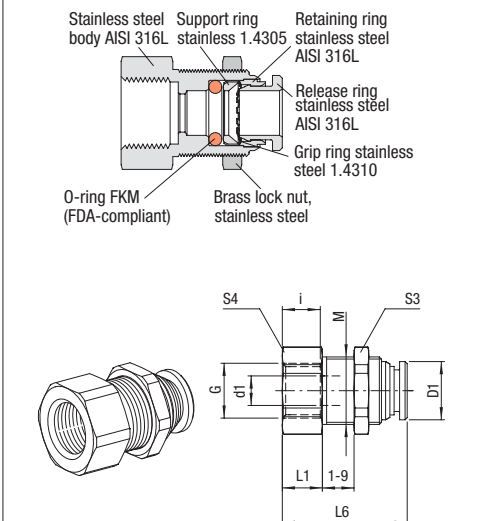
for tube AD	for tube BD	M	L1	L6	D1	D2	S	S3	Weight in [g]	Type	Order number	Price
4	4	M12x1	12.3	31.1	9.8	9.8	14	17	20.4	959X44-4FF	385410	o. r.
6	6	M14x1	13.7	32.7	11.8	11.8	17	17	26.2	959X44-6FF	385411	o. r.
8	8	M16x1	16.5	36.7	13.8	13.8	19	19	35.1	959X44-8FF	385412	o. r.
10	10	M20x1	20.8	41.9	16.4	16.4	22	24	55.9	959X44-10FF	385413	o. r.
12	12	M22x1,5	22.3	45.6	19.8	19.8	24	27	87.6	959X44-12FF	385414	o. r.

Illustration

Straight Bulkhead Adaptor - Female

 Price group **13** PN 20 T_{min} 0 °C T_{max} +140 °C Thread cylindrical

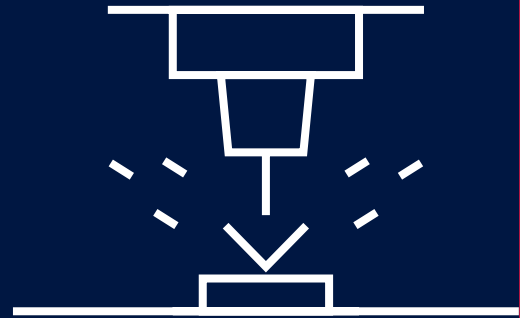
 Stainless steel
AISI 316L

for tube D	G	M	L1	i	L6	d1	D1	S4	S3	Weight in [g]	Type	Order number	Price
4	G 1/8	M12x1	6,5	7	25,3	3	9,8	14	17	19,4	945X44-4FF-1/8	385351	o. r.
4	G 1/4	M14x1	12,5	9	31,3	3	9,8	17	17	33,1	945X44-4FF-1/4	385352	o. r.
6	G 1/8	M14x1	6,5	7	25,5	5	11,8	17	17	25,5	945X44-6FF-1/8	385353	o. r.
6	G 1/4	M14x1	12	9	31	5	11,8	17	17	30,8	945X44-6FF-1/4	385354	o. r.
6	G 3/8	M14x1	13	10	32	5	11,8	19	17	31,5	945X44-6FF-3/8	385355	o. r.
8	G 1/8	M16x1	7	7	27,2	7	13,8	19	19	34,9	945X44-8FF-1/8	385356	o. r.
8	G 1/4	M16x1	9,5	9	29,7	7	13,8	19	19	36,1	945X44-8FF-1/4	385357	o. r.
8	G 3/8	M16x1	12	10	32,2	7	13,8	19	19	34,1	945X44-8FF-3/8	385358	o. r.
10	G 1/4	M20x1	12	9	33,1	9	16,4	22	24	64,4	945X44-10FF-1/4	385359	o. r.
10	G 3/8	M20x1	13	10	34,1	9	16,4	22	24	60	945X44-10FF-3/8	385360	o. r.
10	G 1/2	M20x1	16,5	13	37,6	9	16,4	24	24	64,9	945X44-10FF-1/2	385361	o. r.
12	G 1/4	M22x1,5	13	9	35,8	10	19,8	24	27	88,3	945X44-12FF-1/4	385362	o. r.
12	G 3/8	M22x1,5	13,2	10	36	10	19,8	24	27	82	945X44-12FF-3/8	385363	o. r.
12	G 1/2	M22x1,5	16,7	13	39,5	10	19,8	24	27	78,7	945X44-12FF-1/2	385364	o. r.

Illustration


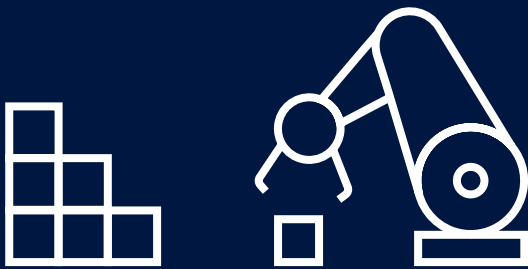
10,500

products and variants through **modular design**,
different configurations and **custom solutions**



○ Since 1970

Successful family business for over **50 years**

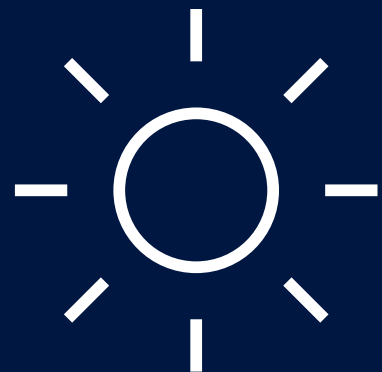


From 1 to 1,000,000

Flexibility in the number of pieces

○ 14 %

of the electricity demand is
generated with **our own PV system**





Worldwide

International customers from the market segments
Food & Beverage, Industrial, Life Science

J. C. Römer Foundation since **2012**
to promote young technical talent

3 core values

The Römer family

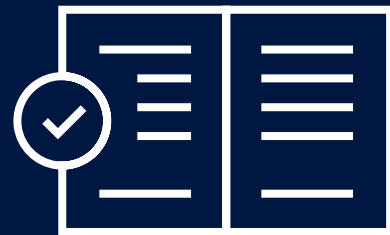
We live cohesion and trust

Customer orientation

We are committed to quality and service

Down-to-earth self-confidence

We stand by our word



3,500

Catalog products with variants

3 locations

Grafenau, Langenberg and Switzerland



Shipping to
different countries

48

Certifications and approvals

AVS Römer Quality and Environmental Management

Our ISO certifications confirm the sustainable environmental policy and the high quality at AVS Römer. The implemented management systems according to ISO 9001:2015 and ISO 14001:2015 ensure an improvement process, which continuously expands the high standard at our company.



Product approvals

For numerous applications, compliance with certain safety standards is necessary. Among other things, this requires a high degree of cleanliness as well as special design guidelines and materials. A large number of our products meet these stringent requirements.



Product and material conformity

AVS Römer products are particularly well-suited for use in various areas due to their compliance with certain guidelines and standards. Further conformities, approvals and certifications on request.



**MADE IN
GERMANY**

AVS Römer GmbH & Co. KG
Reismühle 3
94481 Grafenau
Germany

AVS G. Roemer Schweiz AG
Heidelbergstrasse 9
8355 Aadorf
Switzerland

DE GB US

Phone: +49 8552 4076 300
E-Mail: info@avs-roemer.de
www.avs-roemer.de

CH ES BE FR IT

Phone: +41 32 377 22 11
E-Mail: info@avs-roemer.ch
www.avs-roemer.ch


FSC
www.fsc.org
MIX
Paper from
responsible sources
FSC® C114687

